



NAME \_\_\_\_\_

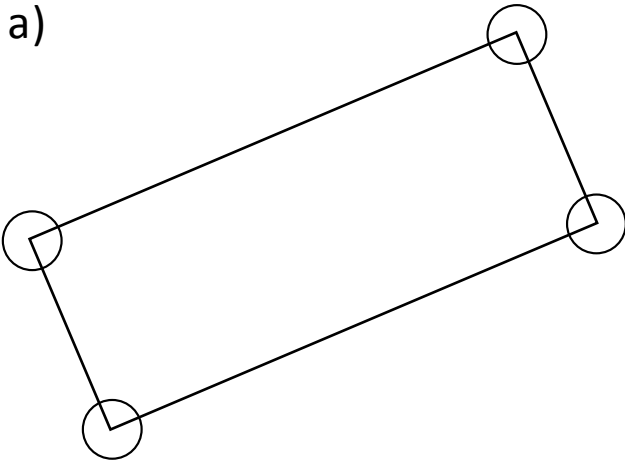
DATE \_\_\_\_\_

## ATTRIBUTES OF GEOMETRY SHAPES

Identify, build, and analyze two dimensional shapes with specified attributes.

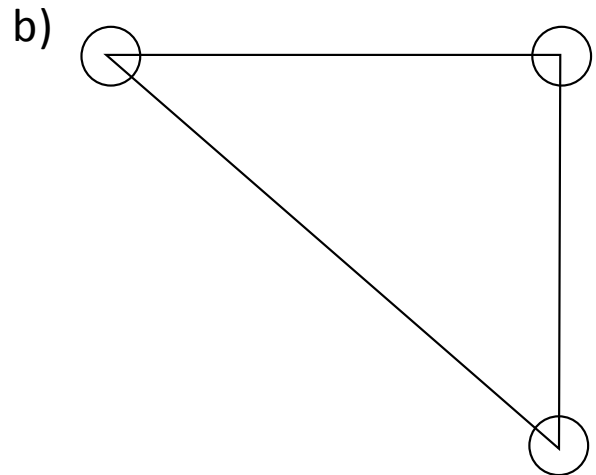
- 1) Count the number of sides and angles for each shape to identify each polygon. The polygon names in the word bank may be used more than once.

Hexagon	Quadrilateral	Triangle	Pentagon
---------	---------------	----------	----------



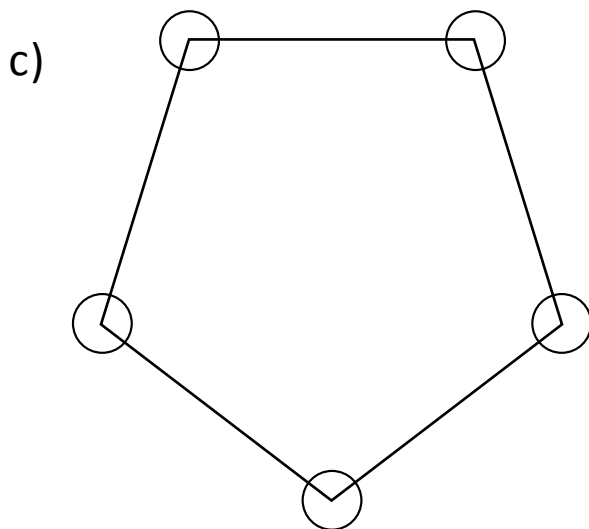
4 sides. 4 angles.

Quadrilateral



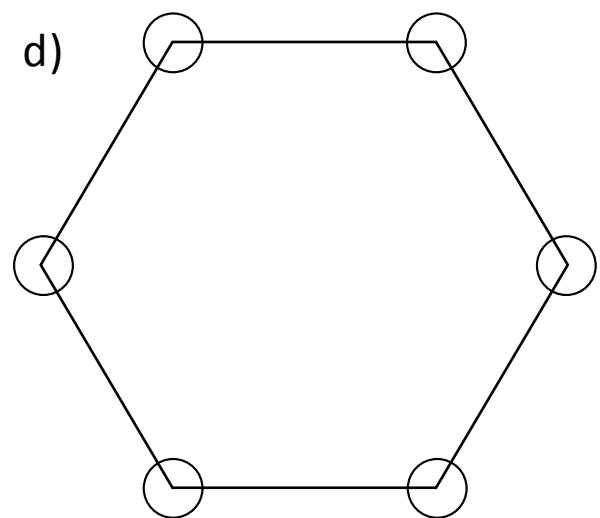
\_\_ sides. \_\_ angles.

\_\_\_\_\_



\_\_ sides. \_\_ angles.

\_\_\_\_\_



\_\_ sides. \_\_ angles.

\_\_\_\_\_