



NAME _____

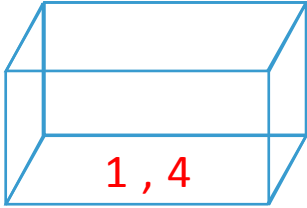
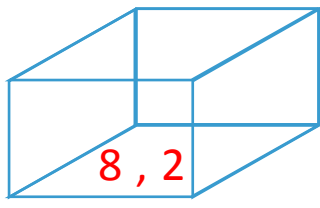
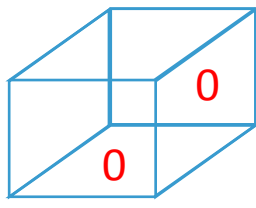
DATE _____

ADDITION OR SUBTRACTION

Solve using mental math or your number disks.

Example:


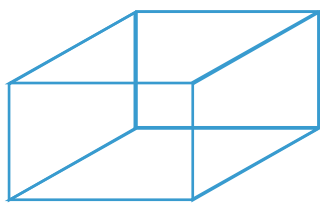
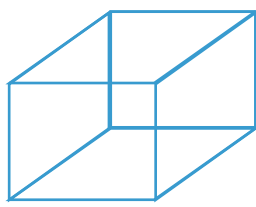
$180 + 420 = \underline{600}$

Hundreds Box	Tens Box	Ones Box
		

(10 tens = 1 hundred)

$= \underline{5} \text{ hundreds} + \underline{10} \text{ tens} = \underline{500} + \underline{100} = \underline{600}.$

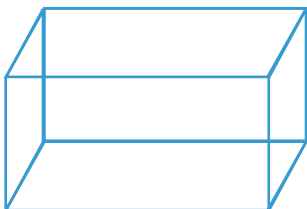
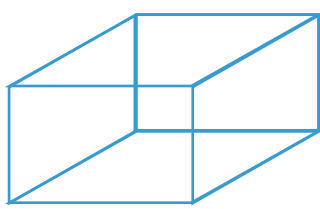
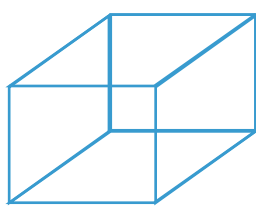
1) $190 + 430 = \underline{\quad}$

Hundreds Box	Tens Box	Ones Box
		

$= 5 \text{ hundreds} + 12 \text{ tens} = \underline{\quad} \text{ hundreds} + 10 \text{ tens} + \underline{\quad} \text{ tens.}$

$= 500 + 100 + 20 = \underline{\quad}. \quad (10 \text{ tens} = 1 \text{ hundreds})$

2) $364 + 236 = \underline{\quad}$

Hundreds Box	Tens Box	Ones Box
		

(1 tens = 10 ones)

$= \underline{\quad} \text{ hundreds} + \underline{\quad} \text{ tens} + \underline{\quad} \text{ ones.}$

$= \underline{\quad} + \underline{\quad} + 10 = \underline{\quad}.$