



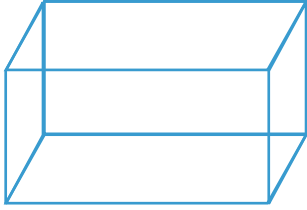
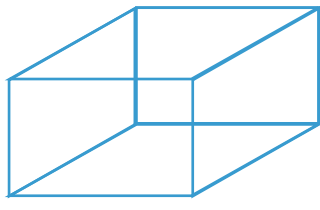
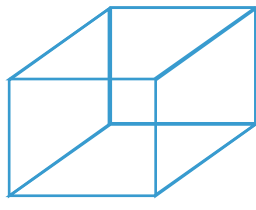
NAME _____

DATE _____

ADDITION OR SUBTRACTION

Solve using mental math or your number disks.


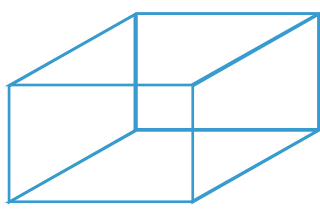
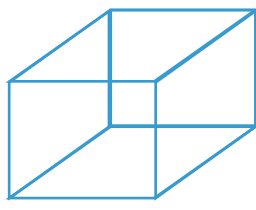
1) $275 + 435 =$ _____

Hundreds Box	Tens Box	Ones Box
		

$=$ ___ hundreds + ___ tens + ___ ones.

$=$ ___ + ___ + ___ = 710.


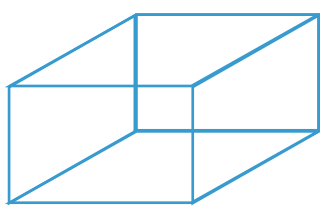
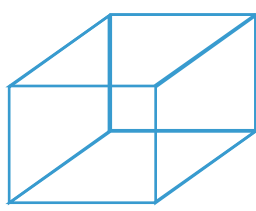
2) $440 + 260 =$ _____

Hundreds Box	Tens Box	Ones Box
		

$=$ ___ hundreds + ___ tens.

$=$ ___ + ___ = ___.

3) $444 + 266 =$ _____

Hundreds Box	Tens Box	Ones Box
		

$=$ ___ hundreds + ___ tens + ___ ones.

$=$ ___ + ___ + ___ = 710.